



DOC Series

Submersible pumps for clean and dirty water. Corrosion-resistant and compact, they are available in three versions with channel or Vortex impellers. Supplied with or without float switch. Built-in capacitor. The motor is cooled by the pumped liquid and thermal overload protection to protect the pump in case of overheating.

3

SPECIFICATIONS

Delivery: up to 14 m³/h

Head: up to 11 m

Power supply: three-phase and single-phase 50 and 60 Hz

Power: 0.25 kW to 0.55 kW

Maximum immersion depth: 5 m

Temperature of pumped liquid: 0°C to +40°C

Liquids with suspended solids:

DOC 3 and DOC 7 up to 10 mm,

DOC 7VX up to 20 mm

Insulation class: B

Protection: IP68

Length of cable:

5 m (for internal use)

10 m (for external use)

APPLICATIONS

- Emptying of residential sump pits, rain water tanks
- Garden and lawn irrigation
- Emptying of tanks or reservoirs
- Emergency draining of flooded areas or rooms

Available on request: "shallow suction device" (for DOC 3 and DOC 7) assuring complete drainage of flooded floors (up to 3 mm from floor)

MATERIALS

Pump body: Noryl®

Suction screen: Noryl®

Handle: Noryl®

Upper support: Noryl®

Impeller: Noryl®

Outer sleeve: Stainless steel

Motor casing: Stainless steel

Lower cover: Stainless steel

Screws and tie-rods: Stainless steel

Shaft extension: Stainless steel

Elastomers: NBR

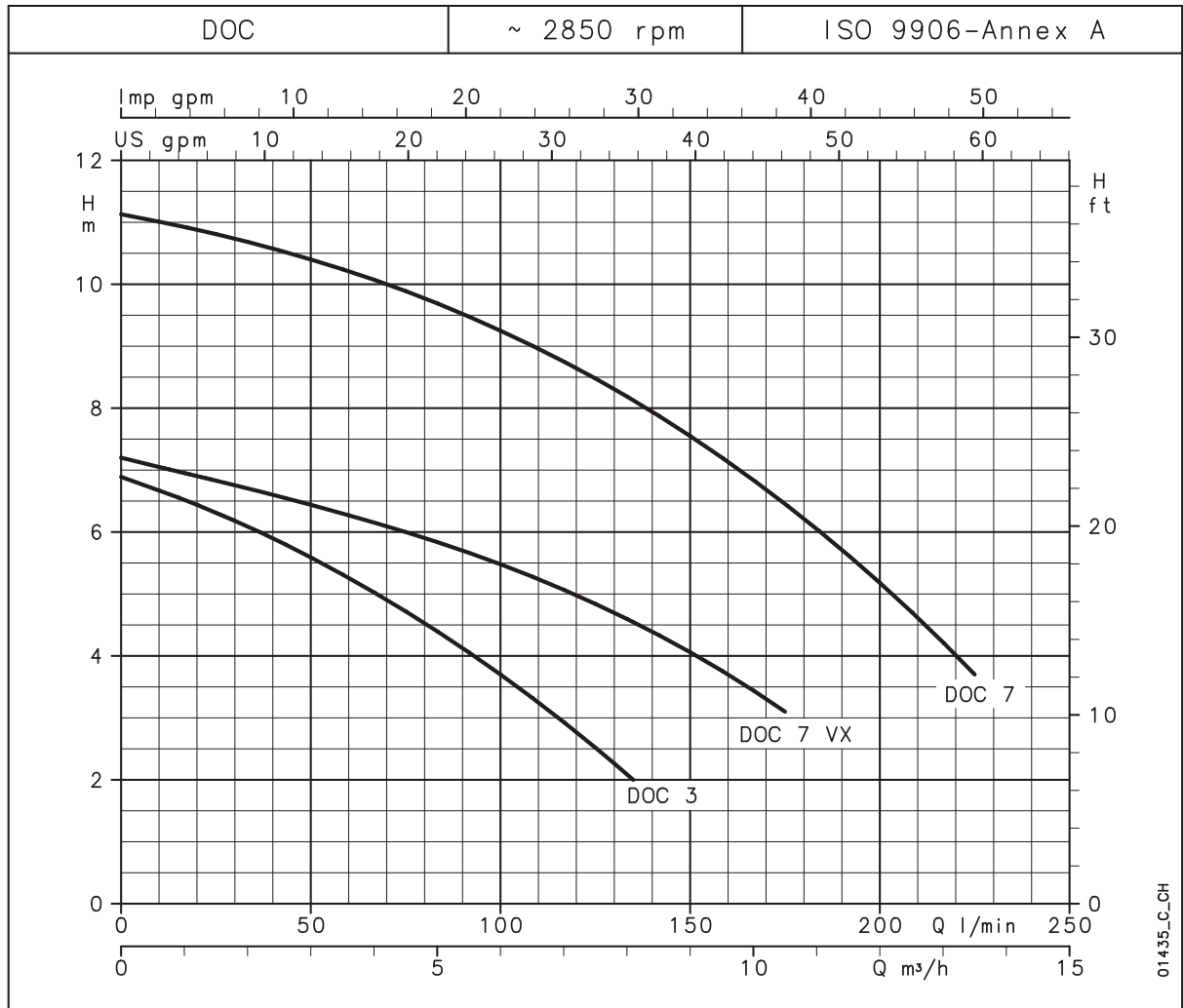


For a complete list of technical information, consult www.lowara.com

Engineered for life



DOC SERIES OPERATING CHARACTERISTICS AT 50 Hz





General Catalogue

DOC SERIES HYDRAULIC PERFORMANCE TABLE

PUMP TYPE	RATED POWER		Q = DELIVERY									
			l/min	0	25	50	75	100	125	135	175	225
	kW	HP	m ³ /h	0	1,5	3	4,5	6	7,5	8,1	10,5	13,5
	H = TOTAL HEAD IN COLUMN OF WATER (METRES)											
DOC3	0,25	0,33	6,9	6,3	5,6	4,7	3,7	2,5	2,0			
DOC7(T)	0,55	0,75	11,1	10,8	10,4	9,9	9,3	8,5	8,1	6,5	3,7	
DOC7VX(T)	0,55	0,75	7,2	6,8	6,4	6,0	5,5	4,8	4,5	3,1		

These performances are valid for liquids with density $\rho = 1.0 \text{ kg/dm}^3$ and kinematic viscosity $\nu = 1 \text{ mm}^2/\text{s}$.

doc-2p50_b_th



ELECTRICAL DATA

PUMP TYPE	INPUT POWER*	INPUT CURRENT*	CAPACITOR
SINGLE-PHASE		220-240 V	
	kW	A	$\mu\text{F} / 450 \text{ V}$
DOC 3	0,31	1,43	6,3
DOC 7	0,78	3,47	16
DOC 7VX	0,66	2,96	16

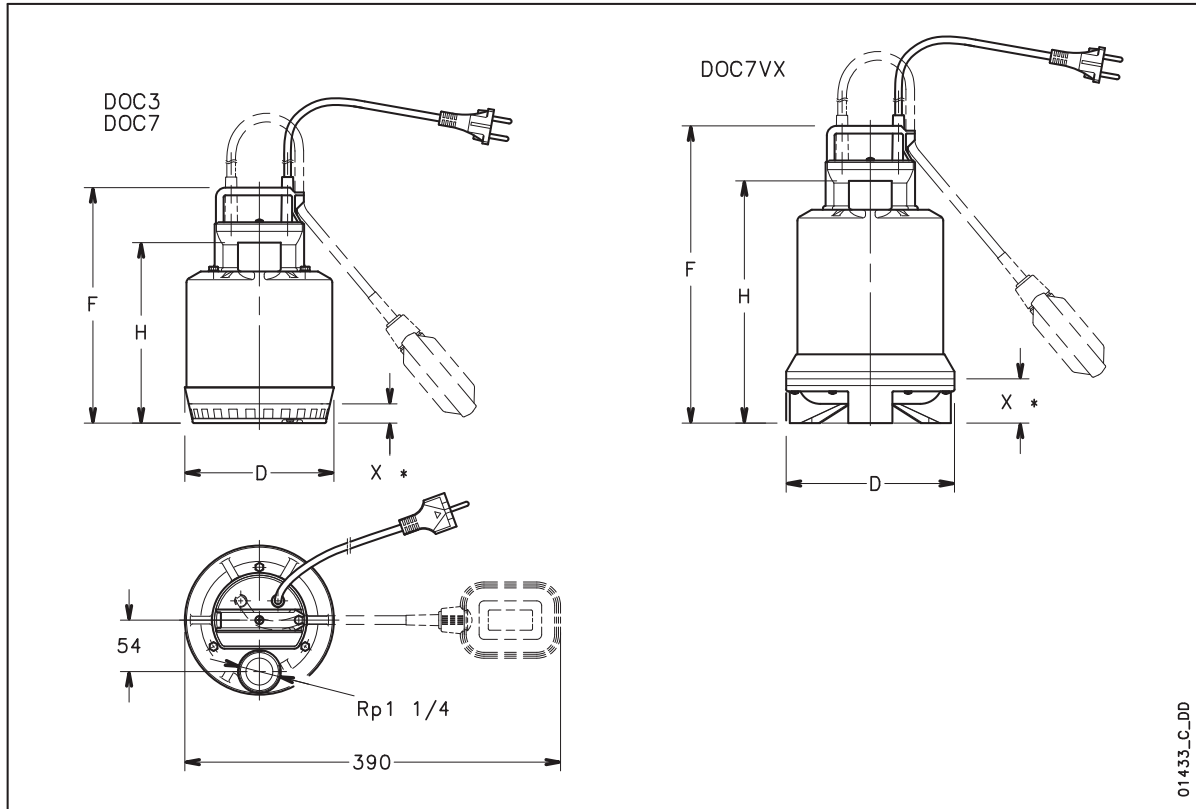
*Maximum value in specified range

PUMP TYPE	INPUT POWER*	INPUT CURRENT*	INPUT CURRENT*
THREE-PHASE		220-240 V	380-415 V
	kW	A	A
-	-	-	-
DOC 7T	0,79	2,82	1,63
DOC 7VXT	0,66	2,68	1,55

doc-2p50_a_te



DOC SERIES - DIMENSIONS AND WEIGHTS

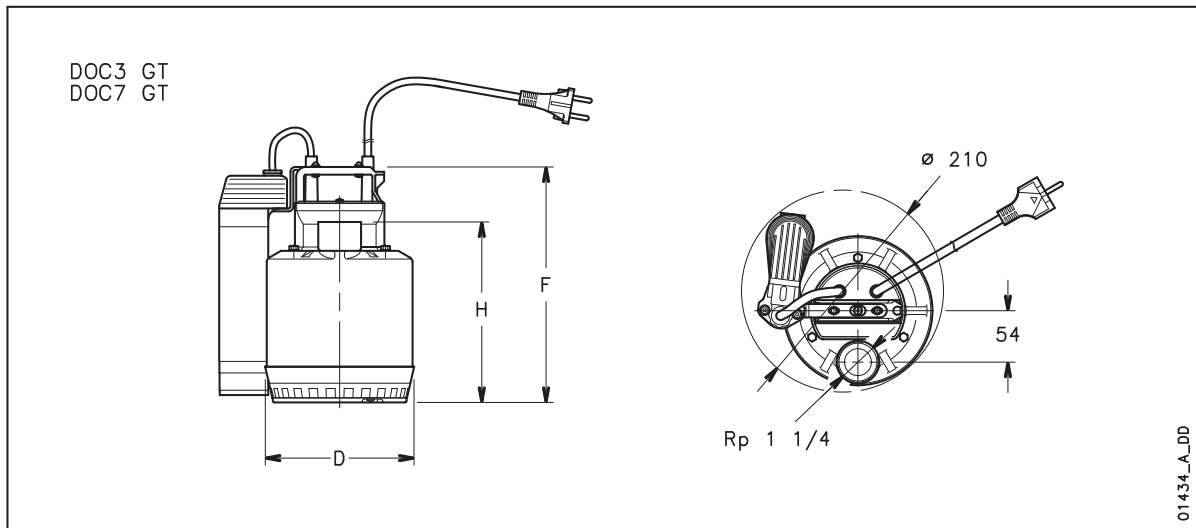


01433_C_DD

PUMP TYPE		DIMENSIONS (mm)				WEIGHT
		F	H	D	X*	kg
DOC3	DOC3 GT	245	188	155	20	4
DOC7(T)	DOC7(T) GT	285	228	155	20	6
DOC7VX(T)	-	310	252	175	45	6

* Minimum drain level.

doc-2p50_b_td



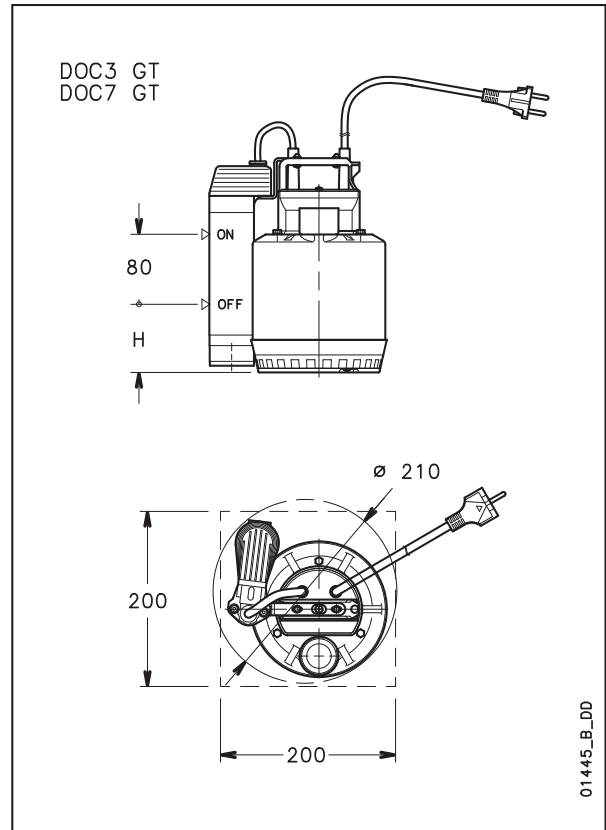
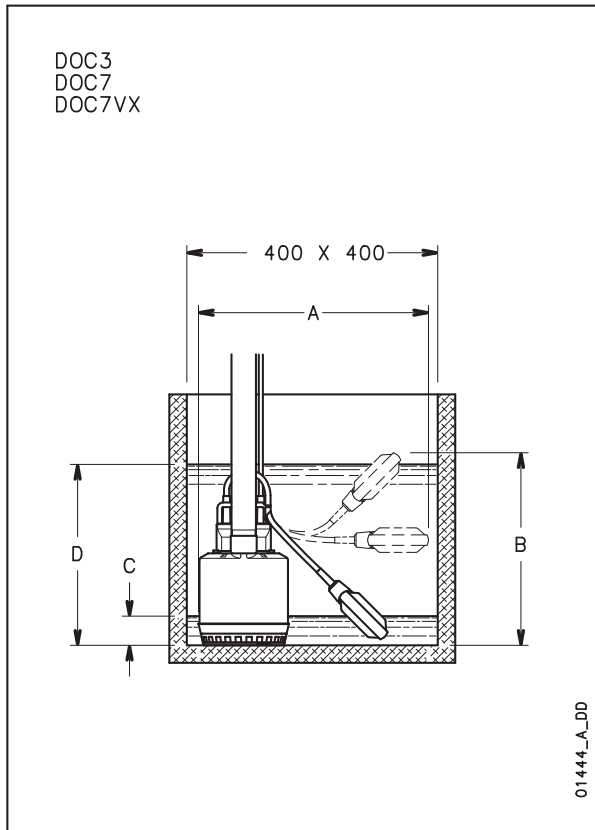
01434_A_DD

Engineered for life



General Catalogue

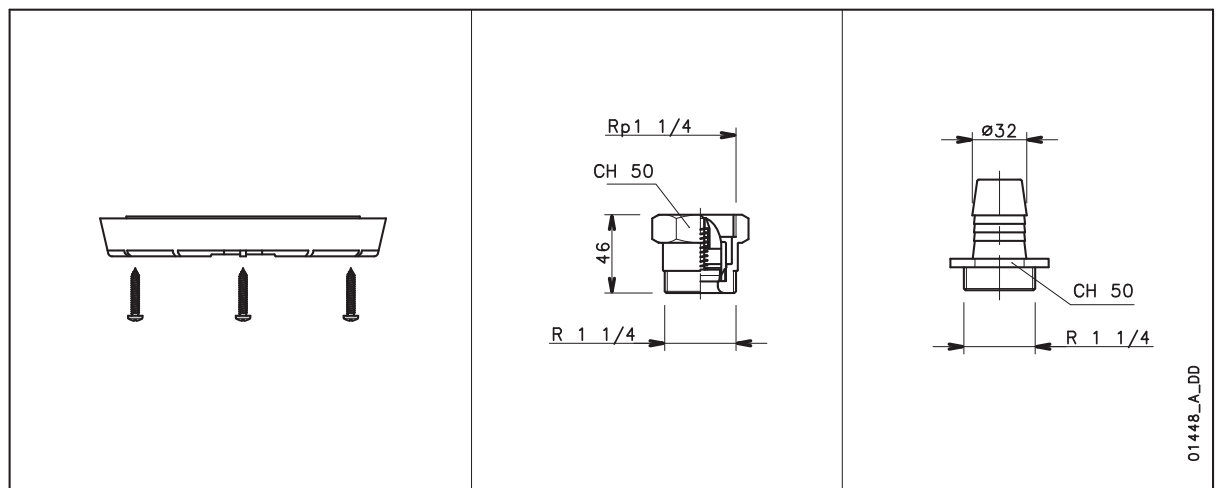
DOC SERIES – INSTALLATION EXAMPLES



PUMP TYPE		DIMENSIONS (mm)		MINIMUM WATER LEVEL	MAXIMUM WATER LEVEL	MINIMUM WATER LEVEL
		A	B	C	D	H
DOC3	DOC3 GT	390	330	50	310	90
DOC7	DOC7 GT	390	370	90	350	90
DOC7VX	-	390	395	115	375	-

docliv-2p50_c_td

ACCESSORIES



Engineered for life