



1 **BG Series**

Close-coupled self-priming centrifugal pumps with built-in ejector system, designed to remain primed even in the presence of water-dissolved gases. The extensive use of pressed stainless steel ensures a high-performance, durable and lightweight pump.

Available in the "Garden" version with handle and terminal box with built-in switch.

SPECIFICATIONS

Delivery: up to 4.2 m³/h

Head: up to 53 m

Power supply: three-phase and single-phase 50 and 60 Hz

Power: 0.37 kW to 1.1 kW

Maximum operating pressure:
8 bar

Maximum total lift:
8 m

Maximum ambient temperature:
40°C

Temperature of pumped liquid:
-10°C to +40°C

Insulation class: F

Protection: IP55

MATERIALS

Pump body: Stainless steel

Impeller: Stainless steel

Diffuser: Technopolymer

Ejector: Technopolymer

Seal housing: Stainless steel

Mechanical seal:

Ceramic/Carbon/EPDM

Fill and drain plugs:

Nickel-plated brass

Elastomers: EPDM

APPLICATIONS

- Water distribution
- Pressure boosting
- Irrigation
- Washing
- Rain water collection
- Swimming pools
- Fountains



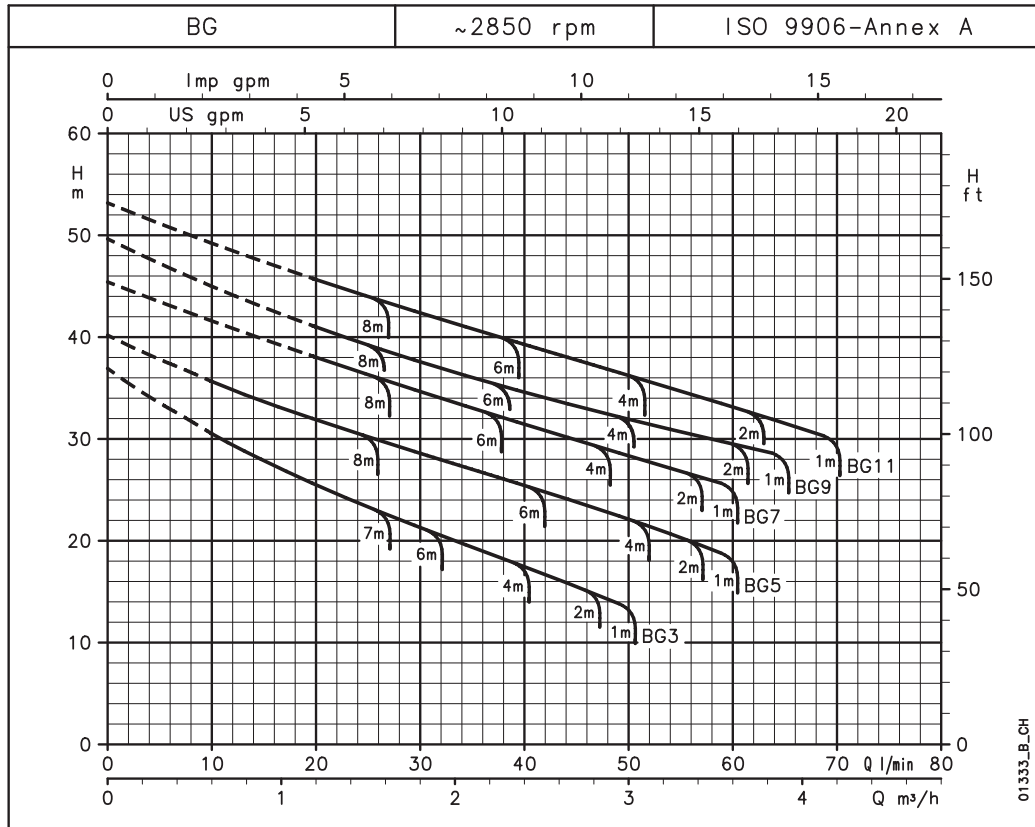
For a complete list of technical information, consult www.lowara.com

Engineered for life



General Catalogue

BG SERIES OPERATING CHARACTERISTICS AT 50 Hz



HYDRAULIC PERFORMANCE TABLE

| PUMP TYPE | RATED POWER | | Q = DELIVERY | | | | | | | | | | | | |
|-----------|-------------|------|--------------|------|------|--|------|------|------|------|------|----|--|--|--|
| | | | l/min | 0 | 10 | 20 | 30 | 40 | 50 | 60 | 65 | 70 | | | |
| | | kW | | HP | | H = TOTAL HEAD IN COLUMN OF WATER (METRES) | | | | | | | | | |
| BG(M)3 | 0,37 | 0,5 | 36,9 | 30,6 | 25,6 | 21,5 | 17,7 | 13,8 | | | | | | | |
| BG(M)5 | 0,55 | 0,75 | 40,2 | 35,7 | 32,0 | 28,8 | 25,7 | 22,4 | 18,8 | | | | | | |
| BG(M)7 | 0,75 | 1 | 45,4 | | 38,1 | 34,8 | 31,7 | 28,6 | 25,6 | | | | | | |
| BG(M)9 | 0,9 | 1,2 | 49,6 | | 41,1 | 37,7 | 34,8 | 32,2 | 29,8 | 28,6 | | | | | |
| BG(M)11 | 1,1 | 1,5 | 53,2 | | 45,8 | 42,5 | 39,5 | 36,5 | 33,5 | 31,9 | 30,3 | | | | |

Maximum delivery depends on geodetic suction lift with clean 8 m pipe and 1 1/4" foot valve.

bg-2p50_a_th

These performances are valid for liquids with density $\rho = 1.0 \text{ kg/dm}^3$ and kinematic viscosity $\nu = 1 \text{ mm}^2/\text{s}$.

ELECTRICAL DATA

| PUMP TYPE | INPUT POWER* | INPUT CURRENT* | CAPACITOR |
|--------------|--------------|----------------|-------------------------------|
| SINGLE-PHASE | 220-240 V | | |
| | kW | A | $\mu\text{F} / 450 \text{ V}$ |
| BGM3 | 0,67 | 2,96 | 14 |
| BGM5 | 0,91 | 4,33 | 16 |
| BGM7 | 1,11 | 5 | 20 |
| BGM9 | 1,24 | 5,54 | 25 |
| BGM11 | 1,43 | 6,47 | 30 |

*Maximum value in specified range

| PUMP TYPE | INPUT POWER* | INPUT CURRENT* | INPUT CURRENT* |
|-------------|--------------|----------------|----------------|
| THREE-PHASE | 220-240 V | | 380-415 V |
| | kW | A | A |
| BG3 | 0,68 | 2,56 | 1,48 |
| BG5 | 0,81 | 2,74 | 1,58 |
| BG7 | 1,1 | 3,71 | 2,14 |
| BG9 | 1,16 | 4,24 | 2,45 |
| BG11 | 1,38 | 4,59 | 2,65 |

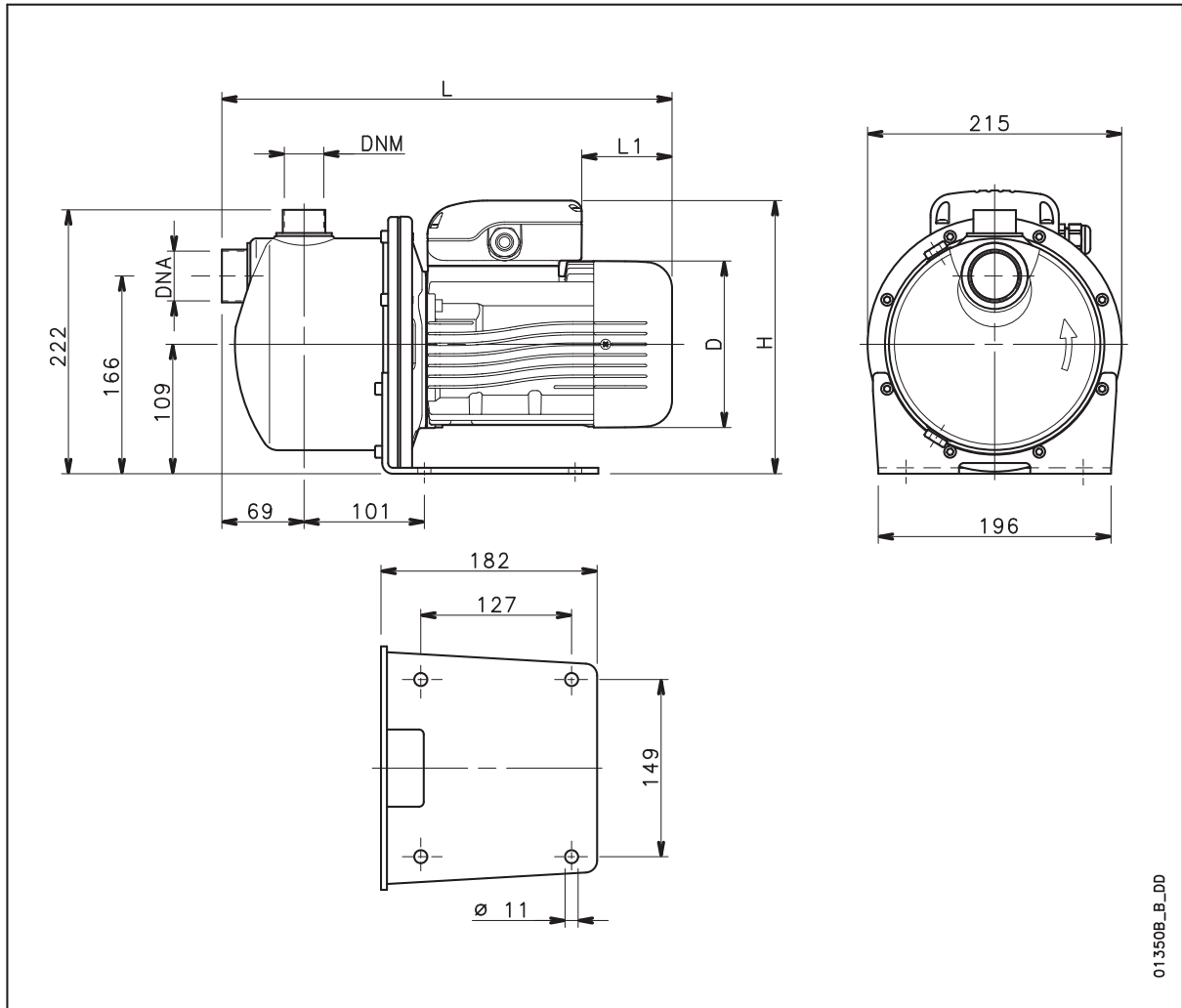
bg-2p50_a_te

Engineered for life



BG SERIES DIMENSIONS AND WEIGHTS

1



01350B_B_DD

| PUMP TYPE | DIMENSIONS (mm) | | | | DNA | DNM | WEIGHT |
|-----------|-----------------|-----|-----|-----|----------------------------------|------|--------|
| | D | L | L1 | H | | | |
| BGM3 | 120 | 366 | 62 | 220 | Rp 1 ¹ / ₄ | Rp 1 | 10 |
| BGM5 | 140 | 380 | 76 | 230 | Rp 1 ¹ / ₄ | Rp 1 | 12 |
| BGM7 | 140 | 380 | 76 | 230 | Rp 1 ¹ / ₄ | Rp 1 | 13 |
| BGM9 | 140 | 380 | 31 | 239 | Rp 1 ¹ / ₄ | Rp 1 | 13 |
| BGM11 | 156 | 425 | 69 | 246 | Rp 1 ¹ / ₄ | Rp 1 | 16 |
| BG3 | 120 | 366 | 62 | 220 | Rp 1 ¹ / ₄ | Rp 1 | 10 |
| BG5 | 140 | 380 | 76 | 230 | Rp 1 ¹ / ₄ | Rp 1 | 12 |
| BG7 | 140 | 380 | 76 | 230 | Rp 1 ¹ / ₄ | Rp 1 | 13 |
| BG9 | 140 | 380 | 76 | 230 | Rp 1 ¹ / ₄ | Rp 1 | 13 |
| BG11 | 156 | 425 | 114 | 238 | Rp 1 ¹ / ₄ | Rp 1 | 16 |

bg-2p50_a_td